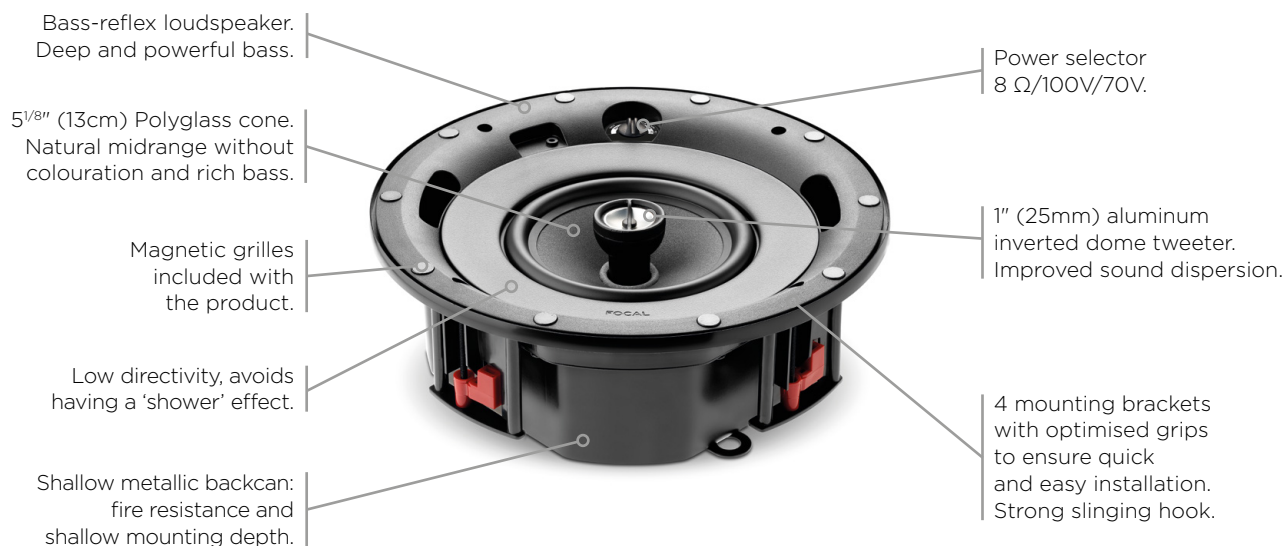


# 100 ICS6-T UL

## Product Data Sheet



### Key points

- Product designed and developed in France by Focal
- Compact design with low depth from wall
- 8 Ω or 100V/70V mode by switch
- Low directivity: wide sound dispersion
- Ready-to-paint grille
- UL 1480, UL 2043
- Optional suspended ceiling mounting kit available

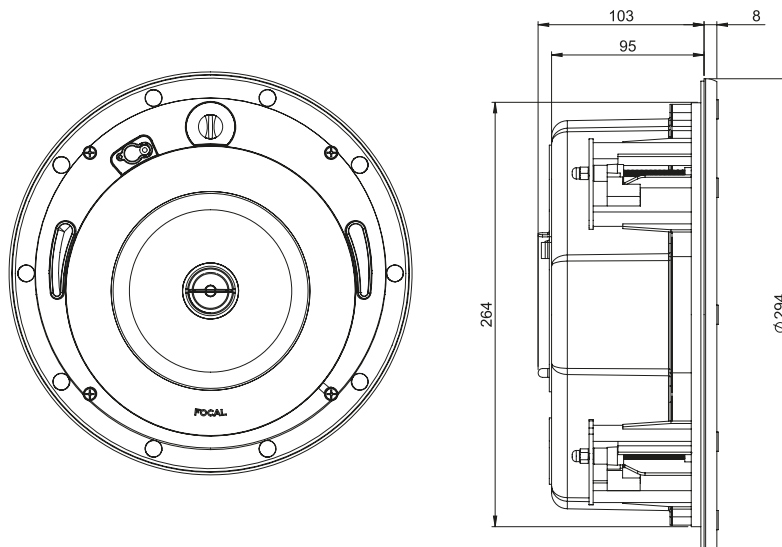
### Technical Specifications

Type	In-wall/In-ceiling - 2-way coaxial bass-reflex 100V/70V or 8 Ω installations - Steel back can
Drivers	5 <sup>1</sup> / <sub>8</sub> " (13cm) Polyglass Midbass 1" (25mm) Al inverted dome Tweeter
Sensitivity (2.83V/1m)	89dB
Frequency response (+/-3dB)	70Hz - 23kHz
Low frequency point (-6dB)	60Hz
70V line power	4/8/15W
100V line power	8/15/30W
8 Ω Recommended amplifier power	15 - 100W
External dimensions (ØxDepth)	11 <sup>3</sup> / <sub>4</sub> "x4 <sup>5</sup> / <sub>8</sub> "(297x116mm)
Cut-out diameter	10 <sup>3</sup> / <sub>8</sub> "(265mm)
Depth from wall	4" (103mm)
Ceiling thickness	0 - 1 <sup>3</sup> / <sub>8</sub> " (0 - 36mm)
Net weight (with grille)	7.5lbs (3.4kg)
Packing dimensions (øxH)	14 <sup>5</sup> / <sub>8</sub> "x7 <sup>1</sup> / <sub>8</sub> " (370x180mm)
Total weight (with packaging)	8.8lbs (4kg)

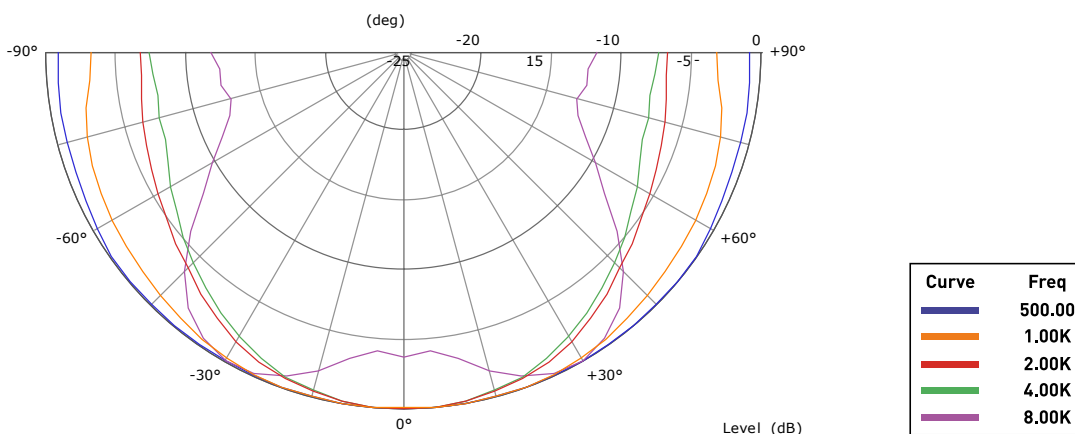
### Selectable power table

8 Ω			
70V	4W	8W	15W
100V	8W	15W	30W

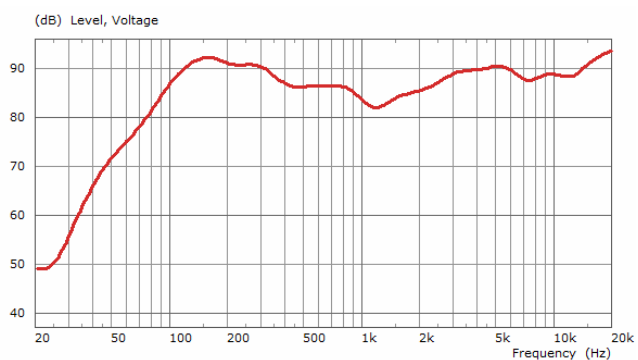
## Dimensions



## Measurements Directivity



## Frequency Response



## 100 ICS6-T UL Speaker level Calculation Table

Power/Distance	1m	2m	5m
1W (2.83V)	89dB	83dB	75dB
5W (8.94V)	96dB	90dB	82dB
10W (12.6V)	99dB	93dB	85dB
20W (15.5V)	102dB	96dB	88dB

Summary	125Hz	250Hz	500Hz	1kHz	2kHz	4kHz	8kHz
SPL (2.83V/1m) (dB)	95	89	85	85	86	88	91
Opening angle at -6dB	180°	180°	180°	180°	180°	130°	100°