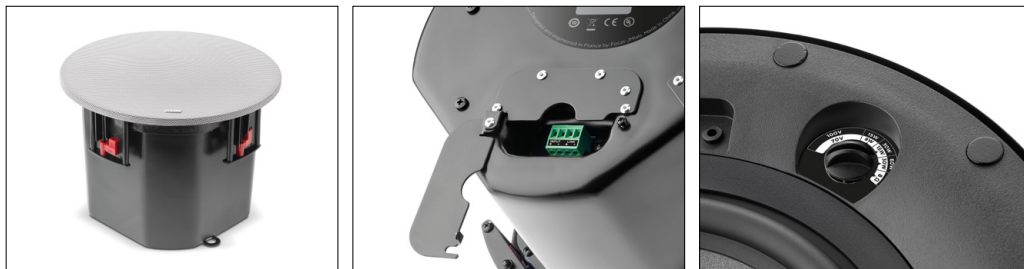


# 100 IC8-T UL

## Product Data Sheet



### Key points

- Product designed and developed in France by Focal
- 8 Ω or 100V/70V mode by switch
- Low directivity: wide sound dispersion
- Ready-to-paint grille
- UL 1480, UL 2043
- Optional suspended ceiling mounting kit available

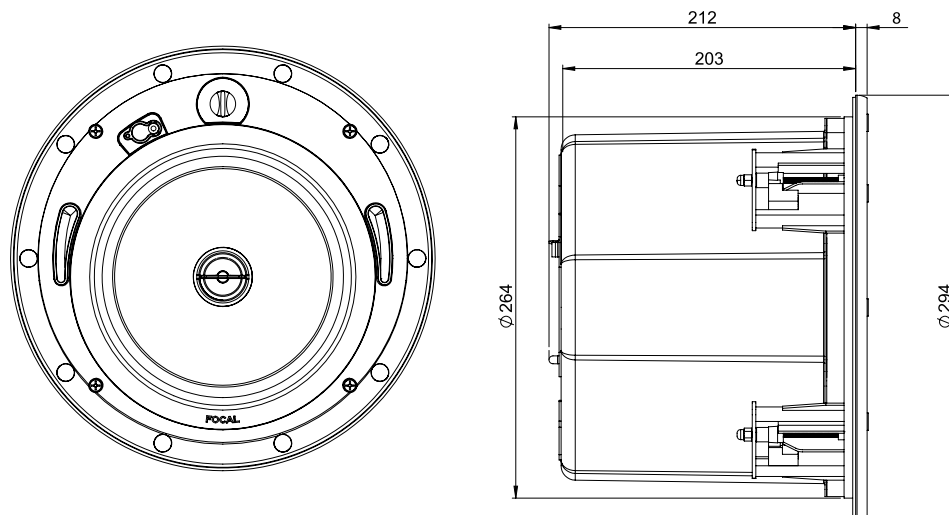
### Technical Specifications

Type	In-wall/In-ceiling - 2-way coaxial bass-reflex 100V/70V or 8 Ω installations - Steel back can
Drivers	6 <sup>1</sup> / <sub>4</sub> " (16cm) Polyglass Midbass 1" (25mm) Al inverted dome Tweeter
Sensitivity (2.83V/1m)	91dB
Frequency response (+/-3dB)	53Hz-23kHz
Low frequency point (-6dB)	48Hz
70V line power	7.5/15/30W
100V line power	15/30/60W
8 Ω Recommended amplifier power	15-150W
External dimensions (ØxDepth)	11 <sup>3</sup> / <sub>4</sub> "x8 <sup>7</sup> / <sub>8</sub> " (297x225mm)
Cut-out diameter	10 <sup>3</sup> / <sub>8</sub> " (265mm)
Depth from wall	8 <sup>3</sup> / <sub>8</sub> " (212mm)
Ceiling thickness	0-1 <sup>3</sup> / <sub>8</sub> " (0-36mm)
Net weight (with grille)	9.37lbs (4.25kg)
Packing dimensions (øxH)	14 <sup>5</sup> / <sub>8</sub> "x11 <sup>3</sup> / <sub>8</sub> " (370x290mm)
Total weight (with packaging)	11.68lbs (5.3kg)

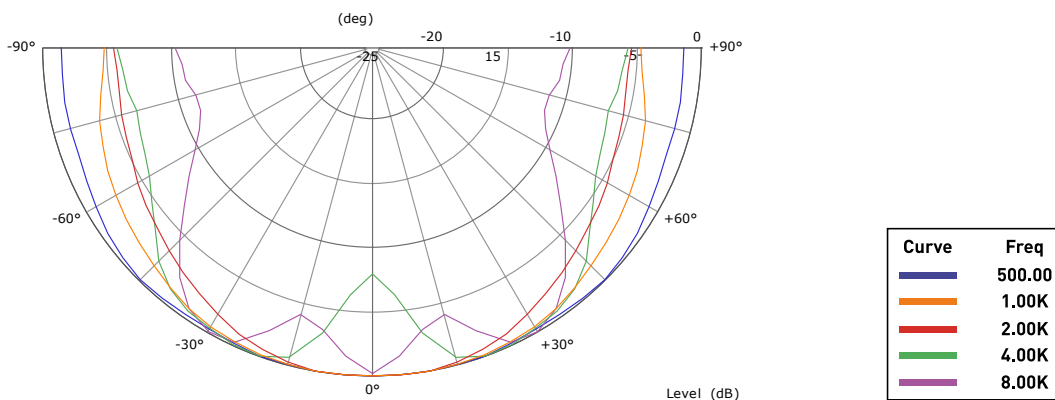
### Selectable power table

8 Ω			
70V	7.5W	15W	30W
100V	15W	30W	60W

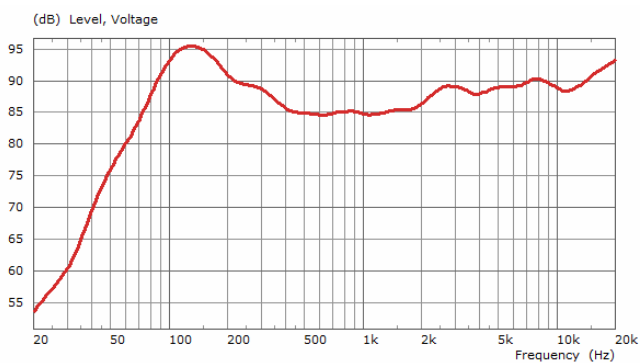
## Dimensions



## Measurements Directivity



## Frequency Response



## 100 IC8-T UL Speaker level Calculation Table

Power/Distance	1m	2m	5m
1W (2.83V)	91dB	84dB	76dB
5W (8.94V)	100dB	94dB	86dB
10W (12.6V)	103dB	97dB	89dB
20W (15.5V)	105dB	99dB	91dB

Summary	125Hz	250Hz	500Hz	1kHz	2kHz	4kHz	8kHz
SPL (2.83V/1m) (dB)	95	89	85	85	86	88	91
Opening angle at -6dB	180°	180°	180°	180°	180°	130°	100°