

100 ICW 8

Product Data Sheet



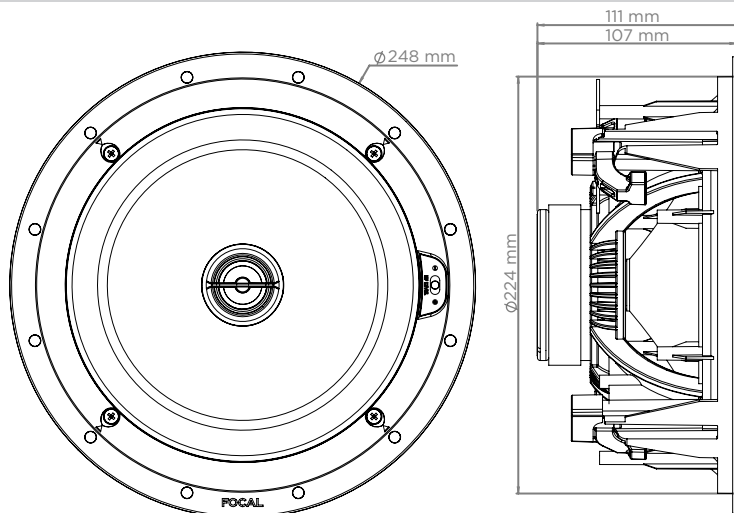
Key Points

- Product designed and developed in France by Focal
- Compact product with shallow mounting depth
- For in-ceiling or in-wall loudspeakers (1 product, 2 uses)
- Possible to connect two loudspeakers to the same amplifier output
- Ready-to-paint grille

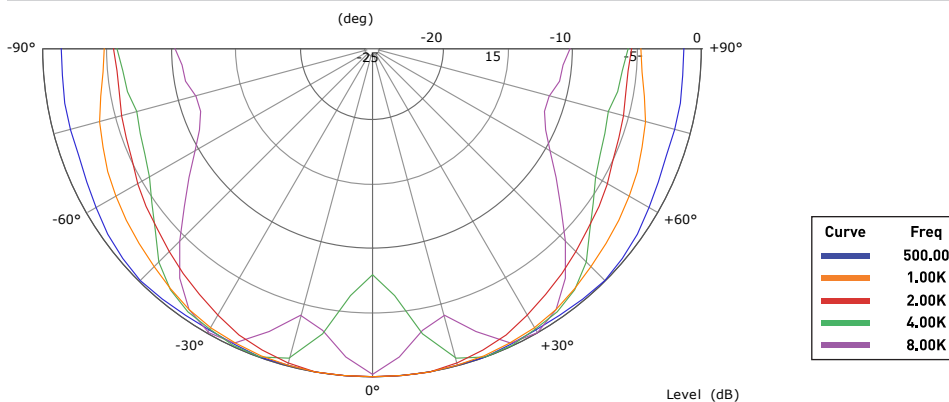
Technical Specifications

| Type | in-wall/In-ceiling 2-way coaxial |
|--------------------------------|---|
| Drivers | 8" (21cm) Polyglass Midbass. 1" (25mm) Al inverted dome Tweeter |
| Sensitivity (2.83V/1m) | 90dB |
| Frequency response (+/-3dB) | 53Hz-23kHz |
| Low frequency point (-6dB) | 40Hz |
| Nominal impedance | 8Ω |
| Minimal impedance | 6,9Ω |
| Recommended amplifier power | 25-150W |
| External dimensions (Ø/Depth) | 9 ^{49/64"} x 4 ^{3/8"} (248x111mm) |
| Cut-Out diameter | 8 ^{15/16"} (160mm) |
| Depth from wall | 4 ^{7/32"} (82mm) |
| Net weight (with front grille) | 3.86lbs (1.75kg) |
| Packing dimensions (WxDxH) | 12 ^{3/16"} x 12 ^{3/16"} x 7 ^{1/4"} (310x310x185mm) |
| Total weight (with packaging) | 4.73lbs (2.60kg) |

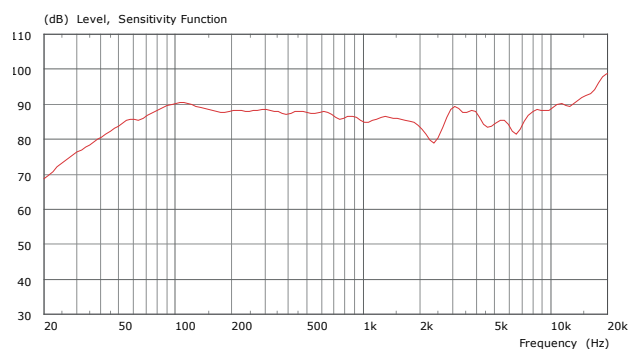
Dimensions



Measurements Directivity



Frequency Response



100 ICW 8 Speaker level Calculation Table

| Power/Distance | 1 m | 2 m | 5 m |
|----------------|--------|-------|-------|
| 1 W (2,83 V) | 90 dB | 84 dB | 76 dB |
| 5 W (8,94 V) | 100 dB | 94 dB | 86 dB |
| 10 W (12,6 V) | 103 dB | 97 dB | 89 dB |
| 20 W (15,5 V) | 105 dB | 99 dB | 91 dB |

| Summary | 125 Hz | 250 Hz | 500 Hz | 1kHz | 2kHz | 4kHz | 8kHz |
|-----------------------|--------|--------|--------|------|------|------|------|
| SPL (2.83 V/1 m) (dB) | 91 | 89 | 89 | 86 | 85 | 88 | 89 |
| Opening Angle at -6dB | 180° | 180° | 180° | 180° | 180° | 130° | 100° |